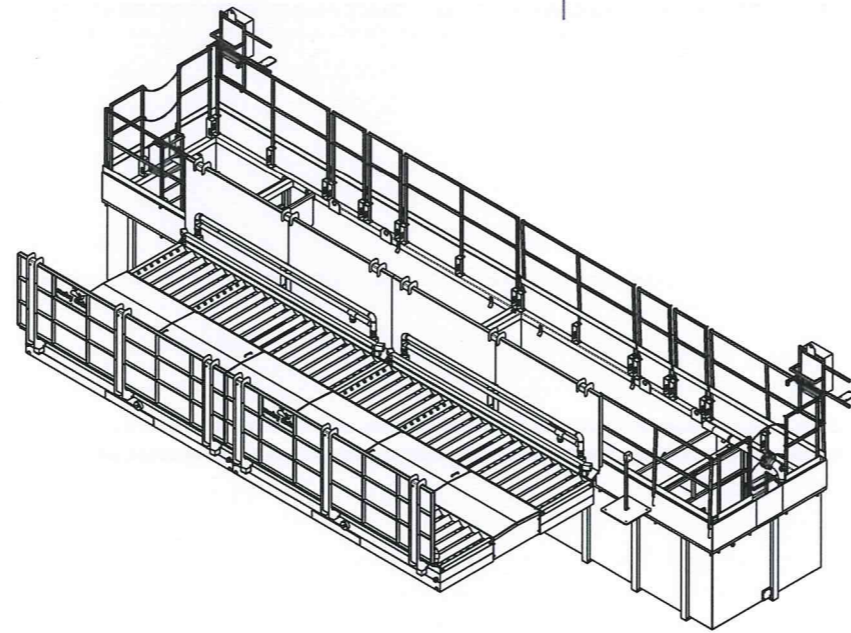
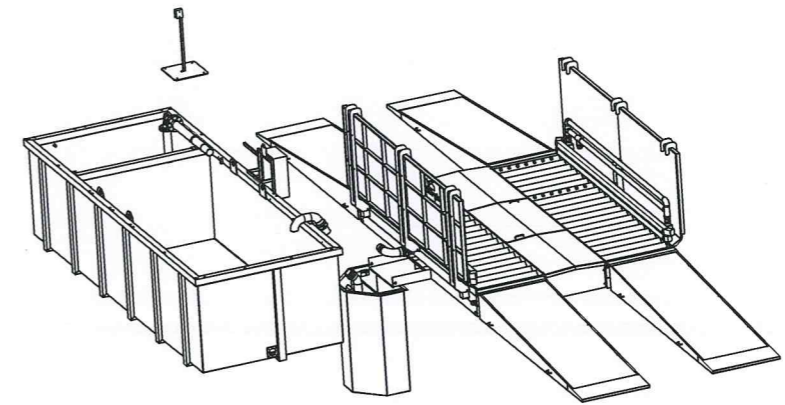


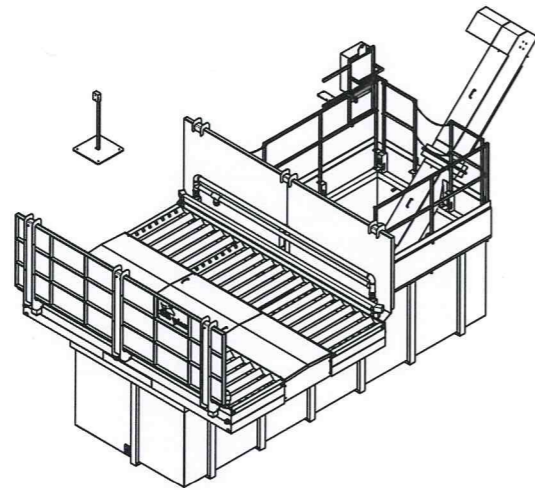
KIT 400B



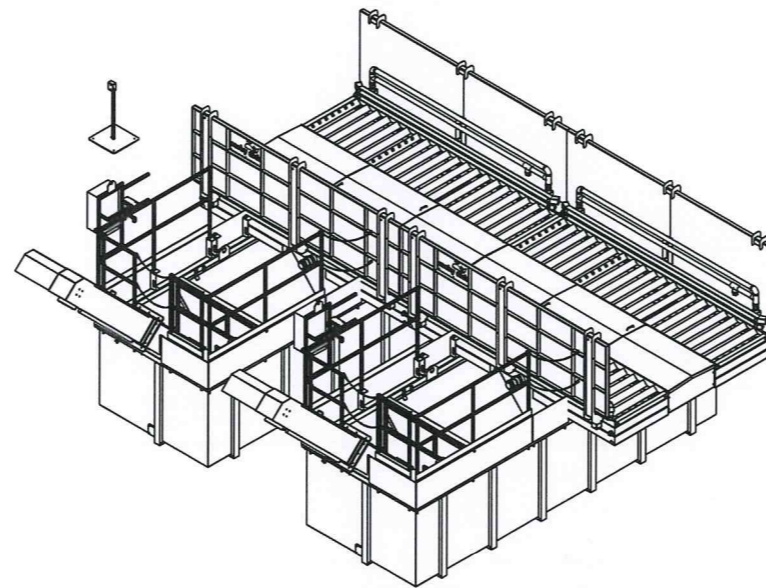
KIT 800B



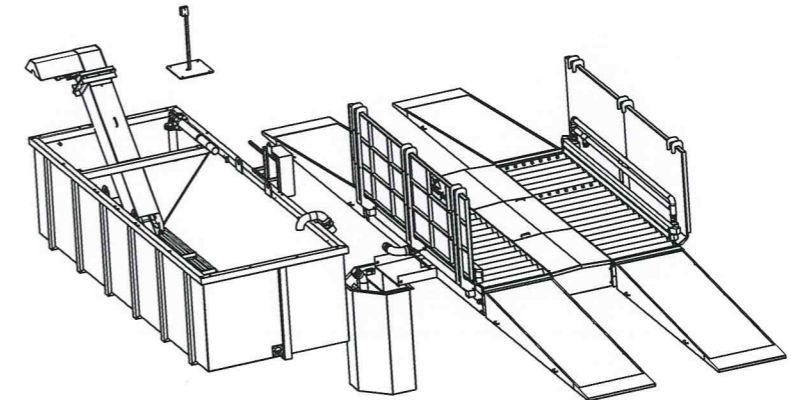
KIT Mobile B



KIT 400C

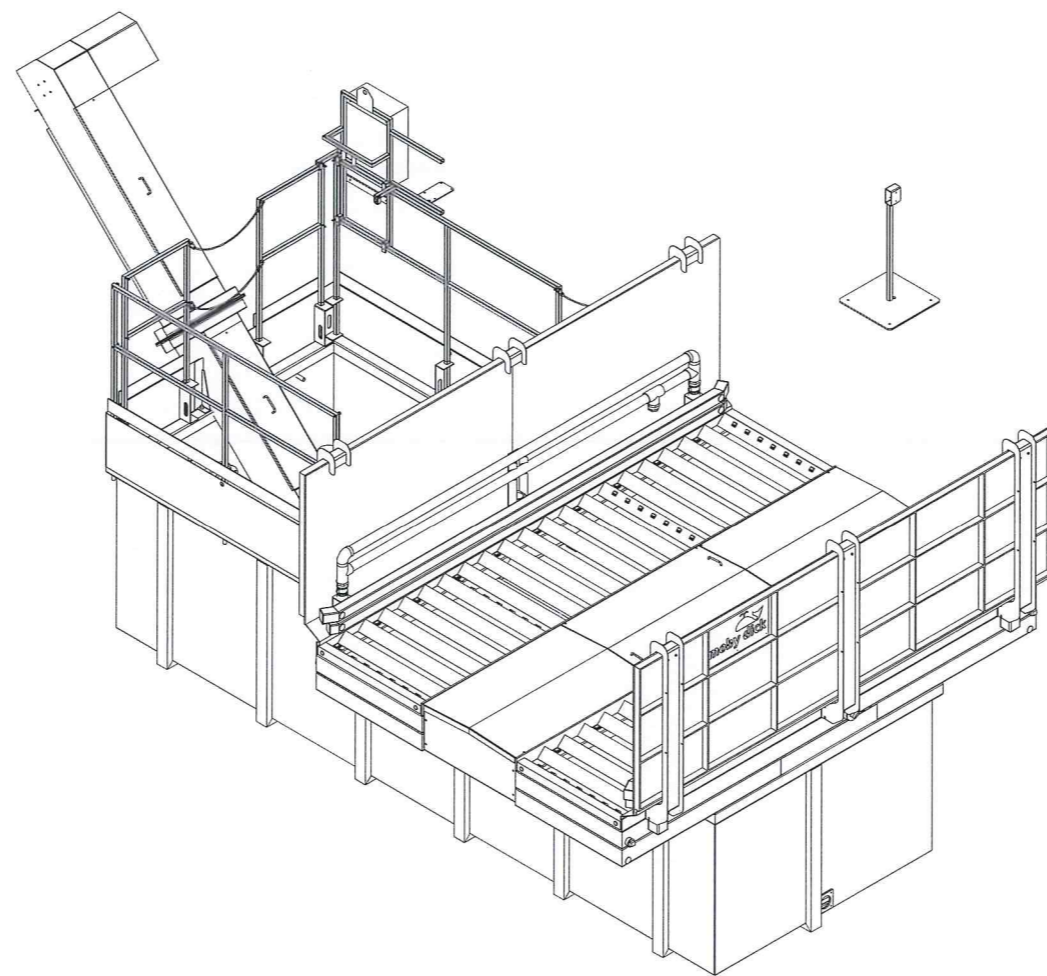



KIT 800C

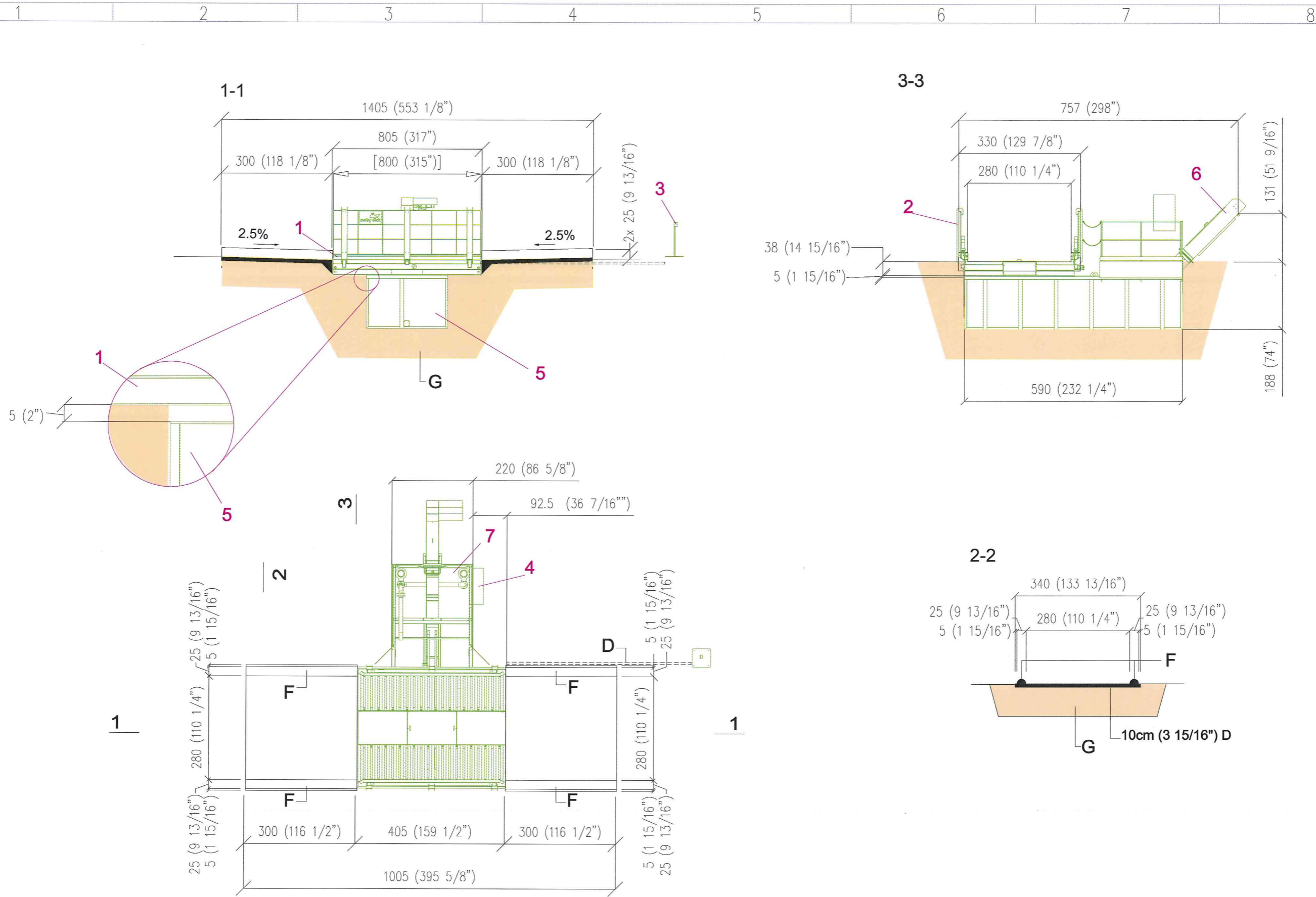


KIT Mobile C

This drawing may not be copied or disclosed to third persons without permission of FRUTIGER. We are the owner of this design.				Coating:	
FRUTIGER Company AG CH 8409 Winterthur (www.frutiger.ch)				Semi_product:	
Project:		Total Weight:		Size:	
ConLine				Material:	
Name:		FrutigerNumber:		Sheet / total:	
KIT		Melzer		Blatt1/23	
Drawn: L. Rehnoldy		DATE: 2011.01.30		Scale:	
Shaped: L. Rehnoldy		DATE: 2011.01.30		Rev: -	
Drawing number:		N002-RB01		FRUTIGER	



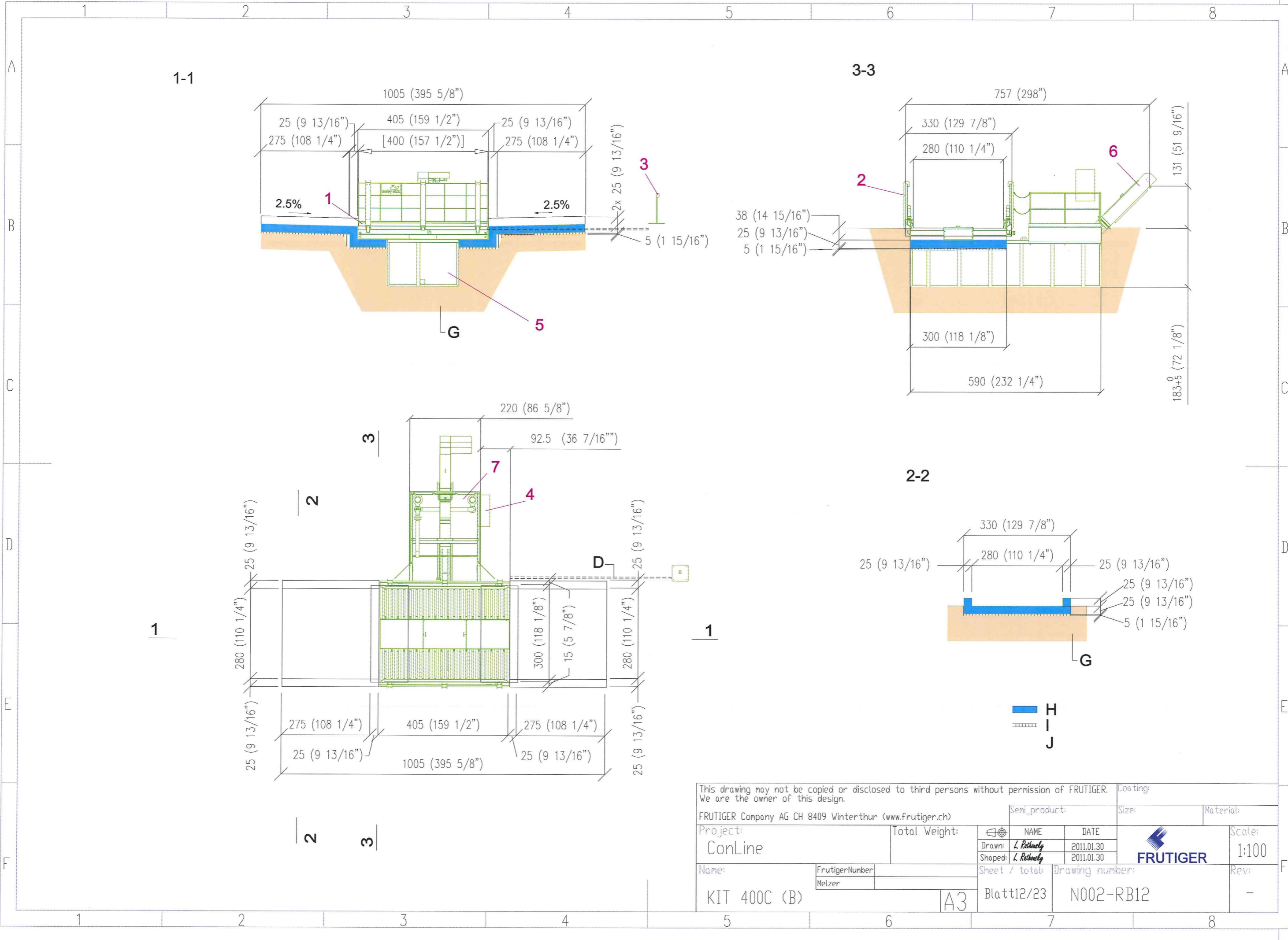
This drawing may not be copied or disclosed to third persons without permission of FRUTIGER. We are the owner of this design.				Coating:	
FRUTIGER Company AG CH 8409 Winterthur (www.frutiger.ch)			Semi_product:		Material:
Project:		Total Weight:	NAME	DATE	Scale:
ConLine			Drawn: <i>L. Rehm</i>	2011.01.30	
Name:		FrutigerNumber	Shaped: <i>L. Rehm</i>	2011.01.30	
KIT 400C		Melzer	Sheet / total:		Drawing number:
			Blatt10/23		N002-RB10
			A3		Rev: -




This drawing may not be copied or disclosed to third persons without permission of FRUTIGER. We are the owner of this design.

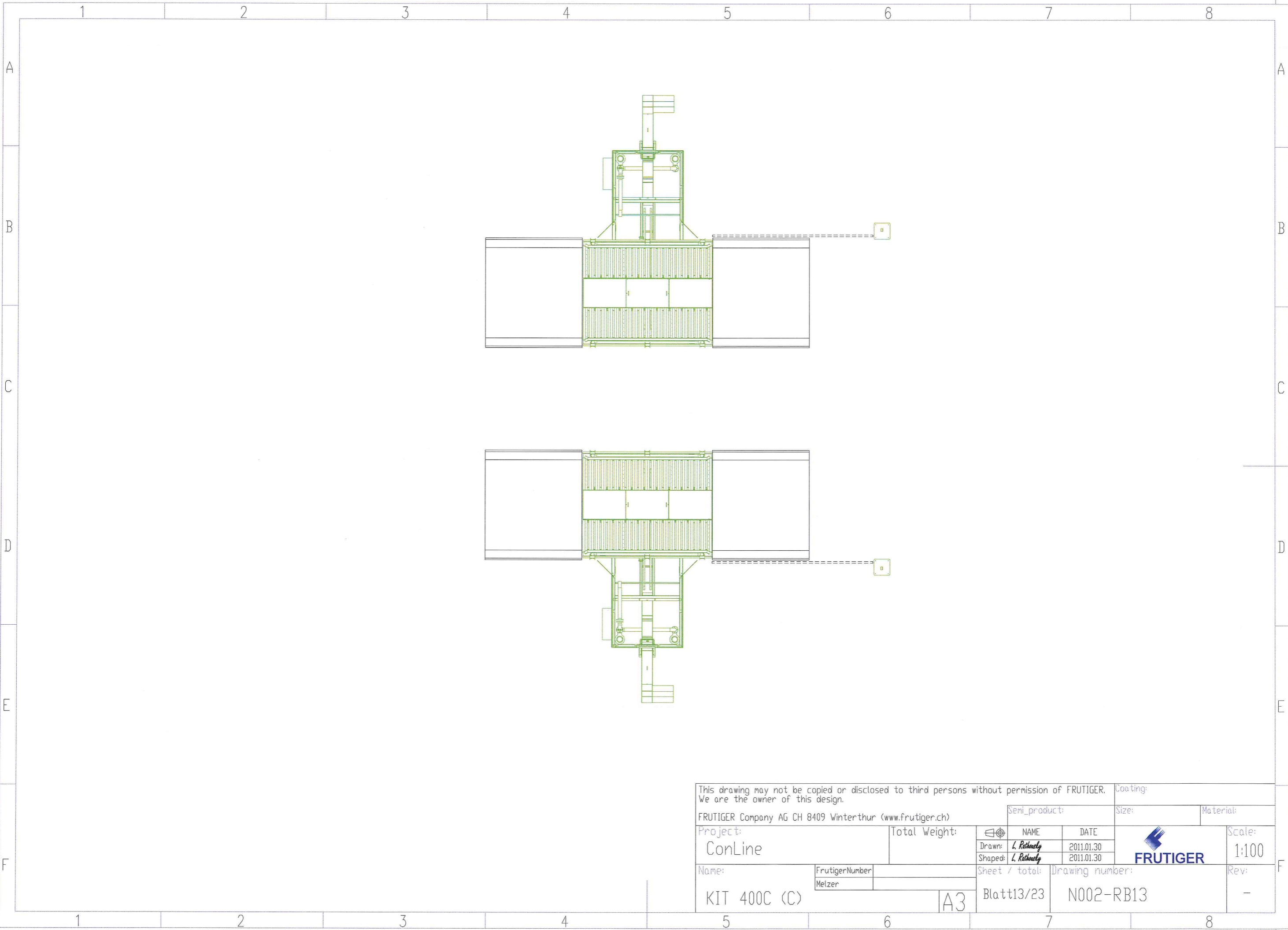
FRUTIGER Company AG CH 8409 Winterthur (www.frutiger.ch)

Project:		Total Weight:		NAME	DATE	Coating:	Size:	Material:
ConLine				Drawn: L. Rotholz	2011.01.30			
Name:		FrutigerNumber		Shaped: L. Rotholz	2011.01.30			Scale:
KIT 400C (A)		Melzer		Sheet / total:	Drawing number:			1:100
				Blatt11/23	N002-RB11			Rev:
								-




This drawing may not be copied or disclosed to third persons without permission of FRUTIGER. We are the owner of this design.

FRUTIGER Company AG CH 8409 Winterthur (www.frutiger.ch)		Semi_product:	Coating:
Project:	Total Weight:	Size:	Material:
ConLine			
Drawn: L. Rehnoldy	DATE: 2011.01.30		Scale: 1:100
Shaped: L. Rehnoldy	DATE: 2011.01.30		Rev: -
Name: KIT 400C (B)	FrutigerNumber: Melzer	Sheet / total: Blatt12/23	Drawing number: N002-RB12



This drawing may not be copied or disclosed to third persons without permission of FRUTIGER. We are the owner of this design.

FRUTIGER Company AG CH 8409 Winterthur (www.frutiger.ch)		Semi_product:		Coating:	Material:
Project:	Total Weight:	NAME	DATE		Scale:
ConLine		Drawn: <i>L. Rehm</i>	2011.01.30		1:100
Name:	FrutigerNumber:	Shaped: <i>L. Rehm</i>	2011.01.30		Rev:
KIT 400C (C)	Melzer	Sheet / total:	Drawing number:		
		Blatt13/23	N002-RB13		